

- LFU-2S Series**

W41.8mm \* D12.8mm \* H7.5mm

Waterproofing : IP68

## LFU – 2SW



### LFU-2SW Specification

Product NO.	LFU-2SW
Light Color	White
Operating Supply	DC +12V
Power Dissipation	0.6W
Dissipation Current	50mA
Viewing Angle	120°
Luminous intensity	14,600mcd, 45.8 lumens Per MODULE
Color Temp (Kelvin)	Cool white (10,111K~13,214K)
Operating Temperature	-30℃ ~ 80℃
Case Materials	Flame retardant ABS

Light Up

# LED MODULES

- LFU-3S Series**

W65mm \* D12mm \* H7mm  
Waterproofing : IP68

LFU – 3SW



## LFU-3SW Specification

Product NO.	LFU-3SW
Light Color	White
Operating Supply	DC +12V
Power Dissipation	0.72W
Dissipation Current	60mA
Viewing Angle	120°
Luminous intensity	21,900mcd, 68.8 lumens Per MODULE
Color Temp (Kelvin)	8,205~10,111K / 10,111~13,214K
Operating Temperature	-30℃ ~ 80℃
Case Materials	Flame retardant ABS

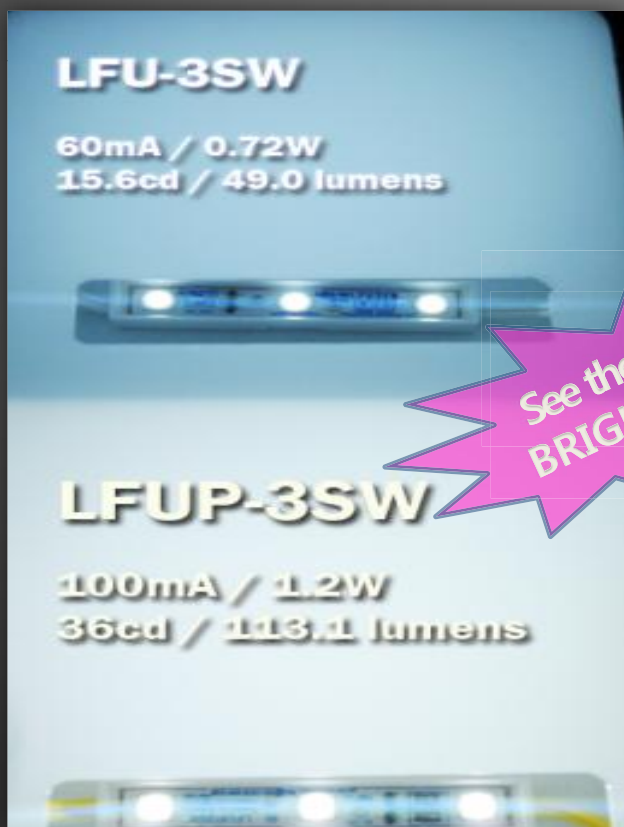
Light Up

- LFU-3S Series**

W65mm \* D12mm \* H7mm

Waterproofing : IP68

## LFUP – 3SW



See the different BRIGHTNESS!!!

### LFUP-3SW Specification

Product NO.	LFUP-3SW
Light Color	White
Operating Supply	DC +12V
Power Dissipation	1.2W
Dissipation Current	100mA
Viewing Angle	120°
Luminous intensity	36,000mcd, 113 lumens Per MODULE
Color Temp(Kelvin)	10111K~15,238K
Operating Temperature	-30℃ ~ 80℃
Case Materials	Flame retardant ABS

Light Up



- LFU-4S Series**

W38mm \* D35mm \* H7.5mm  
Waterproofing : IP68

## LFU – 4SW



### LFU-4SW Specification

Product NO.	LFU-4SW
Light Color	White
Operating Supply	DC +12V
Power Dissipation	1.32W
Dissipation Current	110mA
Viewing Angle	120°
Luminous intensity	29,200mcd, 91.7 lumens Per MODULE
Color Temp(Kelvin)	Cool white (10,111K~13,214K)
Operating Temperature	-30℃ ~ 80℃
Case Materials	Flame retardant ABS

Light Up

## Only using 100% TOP-NOTCH SAMSUNG SMD LED

Rev: 001  
ISSUE NO : LEDRR-09100259

SAMSUNG SAMSUNG LED

DATE OF ISSUE : 2012. 07. 04

### SPECIFICATION

MODEL : SPMWHT5206N2BAA0S0

Approved rank : V<sub>r</sub>(A2, A1, A2, A3, A4), CIE(A1, A2, A3, A4), I<sub>v</sub>(S0)

**WHITE LED A0 RANK**

**CUSTOMER :** \_\_\_\_\_

**CUSTOMER :**

CHECKED	APPROVED

11460282

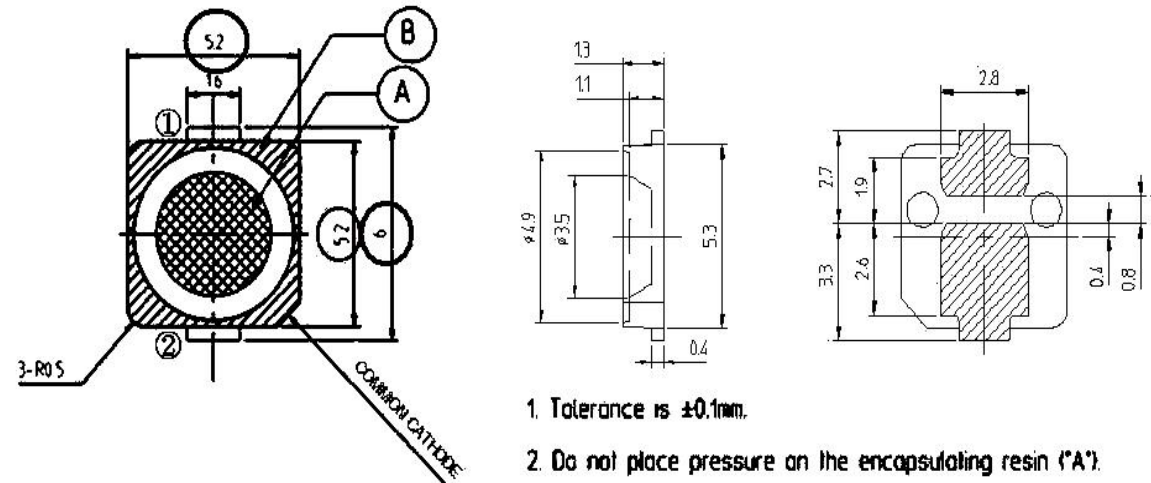
SAMSUNG LED			
DRAWN	CHECKED		APPROVED
	SALES	QUALITY	

**SAMSUNG LED CO., LTD.**

314, MAETAN 3-DONG, YEONGTONG-GU,  
SUWON-SI, GYEONGGI-DO, KOREA, 443-743

- LED package outline dimensions

### 6. LED Package Outline Dimensions



1. Tolerance is  $\pm 0.1\text{mm}$ .
2. Do not place pressure on the encapsulating resin ('A').
3. The maximum compressing force is 15N on the polymer ('B').



# LED FOR YOU CERTIFICATE

**TUV INTERCERT**

## CERTIFICATE

Certificate No. 11-PEL-0016/1TIC

WE HEREBY DECLARE THAT THE PRODUCT  
**LED Module**  
Rated 12Vdc, 0.72W, 60MA

MODEL:  
LFU35W

WITH THE FAMILY MODEL:  
LFU25W, LFU35C, LFU25C, LFU35R, LFU25R, LFU35G, LFU25G, LFU35B, LFU25B

APPLICANT  
**LED FOR YOU Co., Ltd.**  
359-4 Daesaangyeong-r1, Chosow-eup, Gwangju-si, Gyeonggi-do, Korea

IS IN COMPLIANCE WITH THE REQUIREMENTS OF THE STANDARDS  
LVD 2006/95/EC  
EN 62031:2008 (1st Edition), IEC 62471:2006 (1st Edition)

**CE**

**TUV INTERCERT**

An Bureau Design: D-92021 Bonn (M 03.10)

**EU Declaration of Conformity**

According to  
**EMC Directive 2004/108/EC**

For the following  
Product: LED Module  
Model Name: LFU35W  
Variant Model Name: LFU35R, LFU35C, LFU35R  
Manufacturer at: LED FOR YOU CO., LTD.  
Address: 359-4, Daesaangyeong-r1, Chosow-eup, Gwangju-si, Gyeonggi-do, Korea

We hereby declare, Electromagnetic Compatibility Directives (2004/108/EC, 2014/53/EC) are fulfilled, as laid out in the guidelines set down by the member states of the EEC Commission. This declaration is valid for all samples that are part of this declaration, which are manufactured according to the production charts appended.

**CE**

The standards relevant for the evaluation of EMC requirements are as follows:  
Test Standards: EN 55015:2006/A2:2009  
EN 61547:2009

Date of issue: September 16, 2011

LED FOR YOU CO., LTD.  
359-4, Daesaangyeong-r1, Chosow-eup, Gwangju-si, Gyeonggi-do, Korea  
(Name and address of authorized signatory)

**EU Declaration of Conformity**

According to  
**EMC Directive 2004/108/EC**

For the following  
Product: LED Module  
Model Name: LFU35W  
Manufacturer at: LED FOR YOU CO., LTD.  
Address: 359-4, Daesaangyeong-r1, Chosow-eup, Gwangju-si, Gyeonggi-do, Korea

We hereby declare, Electromagnetic Compatibility Directives (2004/108/EC, 2014/53/EC) are fulfilled, as laid out in the guidelines set down by the member states of the EEC Commission. This declaration is valid for all samples that are part of this declaration, which are manufactured according to the production charts appended.

**CE**

The standards relevant for the evaluation of EMC requirements are as follows:  
Test Standards: EN 55015:2006/A2:2009  
EN 61547:2009

Date of issue: September 16, 2011

LED FOR YOU CO., LTD.  
359-4, Daesaangyeong-r1, Chosow-eup, Gwangju-si, Gyeonggi-do, Korea  
(Name and address of authorized signatory)

**the standard in safety**

FILE: 2010-01-18  
REV: 0001 2011-09-16  
REV: 0001 2011-09-16

FOLLOW-UP SERVICE PROCEDURE  
TYPE: 70  
COMMENTS: 4008 ACTIVITY/ISSUE  
10/01/2010

Manufacturers: LED FOR YOU CO, LTD.  
359-4, DAESAANGYEONG-R1, CHOSOW-EUP, GWANGJU-SI, GYEONGGI-DO, KOREA

Model Name: LFU35W  
1100555-4363

APPLICANT: LED FOR YOU CO, LTD.  
359-4, DAESAANGYEONG-R1, CHOSOW-EUP, GWANGJU-SI, GYEONGGI-DO, KOREA

DECLARATION: IEC 60529:2001, KS C IEC 60529:2002

RECORDED COMPANY: LED FOR YOU CO, LTD.

This Procedure authorizes the above manufacturer to use the marking specified by Underwriters Laboratories Inc. (UL) or any authorized licensee of UL, only on products covered by this procedure, in accordance with the applicable UL product specification. The procedure shall be used only at the above manufacturing location on each product which complies with this procedure and any other applicable requirements. The procedure contains information for the use of the above named Manufacturer and representative of Underwriters Laboratories Inc. and is not to be used for any other purpose. It is sent to the Manufacturer with the understanding that it is not to be reprinted, either wholly or in part, and that it will be returned to Underwriters Laboratories Inc. (UL) or any authorized licensee of UL, upon request.

THIS PROCEDURE, and any subsequent revision, is the property of Underwriters Laboratories Inc. (UL) and the authorized licensee of UL and is not transferable.

Underwriters Laboratories Inc.

Steven Hagan William R. Berry  
Director, Safety Director  
GLOBAL FOLLOW-UP SERVICE OPERATIONS NORTH AMERICAN CERTIFICATION DIVISION

**ktl** Report No. : 2010 - 1455 - 748  
1 page of 2 pages

## TEST REPORT

1. Applicant Name: LED FOR YOU Co., Ltd.  
Address: 359-4, Daesaangyeong-r1, Chosow-eup, Gwangju-si, Gyeonggi-do, Korea

2. Products Name: LED Module  
Model/Type: LFU35W  
Manufacturer: LED FOR YOU Co., Ltd.  
Remark:

3. Test Standard/Method: IEC 60529:2001, KS C IEC 60529:2002

4. Test Results: IP68 (Refer to document)

5. Use of Report: For Quality Control

6. Date of Application: 2010. 10. 08

7. Date of Issue: 2010. 10. 18

Tested by: [Signature] Approved by: [Signature]

Machinery Convergence Technology Center  
Changcho Kim Machinery Convergence Technology Center  
Leader Jun-gu Kang

The above test report is the accredited test results by Korea Laboratory Accreditation Scheme, which operate the KOLAP.

**Korea Testing Laboratory**

222-13, Ganso-Dong, Guro-Gu, Seoul, 152-796, Korea. Tel.: +82-2-660-1511  
http://www.ktl.or.kr Fax.: +82-2-660-1519

**ktl** Report No. : 2010 - 1455 - 747  
1 page of 2 pages

## TEST REPORT

1. Applicant Name: LED FOR YOU Co., Ltd.  
Address: 359-4, Daesaangyeong-r1, Chosow-eup, Gwangju-si, Gyeonggi-do, Korea

2. Products Name: LED Module  
Model/Type: LFU35C  
Manufacturer: LED FOR YOU Co., Ltd.  
Remark:

3. Test Standard/Method: IEC 60529:2001, KS C IEC 60529:2002

4. Test Results: IP68 (Refer to document)

5. Use of Report: For Quality Control

6. Date of Application: 2010. 10. 08

7. Date of Issue: 2010. 10. 18

Tested by: [Signature] Approved by: [Signature]

Machinery Convergence Technology Center  
Changcho Kim Machinery Convergence Technology Center  
Leader Jun-gu Kang

The above test report is the accredited test results by Korea Laboratory Accreditation Scheme, which operate the KOLAP.

**Korea Testing Laboratory**

222-13, Ganso-Dong, Guro-Gu, Seoul, 152-796, Korea. Tel.: +82-2-660-1511  
http://www.ktl.or.kr Fax.: +82-2-660-1519

**International Industrial Certification**

LED FOR YOU CO., LTD.

359-4, Daesaangyeong-r1, Chosow-eup, Gwangju-si, Gyeonggi-do, Korea

This is to certify that the Environmental Management System of the above mentioned company meets the requirement of

**ISO 14001 : 2004**

Scope  
Manufacture and Servicing of LED Module for Channel Letter Signboard

EAC: 19 NACE: DL.32.10

Certificate number : IIC-15162  
Date of initial approval : 7 October 2010  
Expiry : 4 October 2013

Approved by: [Signature]

This certificate is a property of IIC and valid only if regulatory surveillance audit is conducted within the required time.

**IAF**  
**JAS-ANZ**  
**G**

International Industrial Certification Co., Ltd.  
8F, Cheong Technosum, 1487, Cheong 3-Dong, Gyeongju-Gu, Seoul, Korea  
Tel.: +82-2-6071-0931-4 Fax: +82-2-6071-0933

Accreditation by the Joint Accreditation System of Australia and New Zealand.  
www.jas-anz.org/register

**International Industrial Certification**

LED FOR YOU CO., LTD.

359-4, Daesaangyeong-r1, Chosow-eup, Gwangju-si, Gyeonggi-do, Korea

This is to certify that the Quality Management System of the above mentioned company meets the requirement of

**ISO 9001 : 2008**

Scope  
Manufacture and Servicing of LED Module for Channel Letter Signboard

EAC: 19 NACE: DL.32.10

Certificate number : IIC-15162  
Date of initial approval : 7 October 2010  
Expiry : 4 October 2013

Approved by: [Signature]

This certificate is a property of IIC and valid only if regulatory surveillance audit is conducted within the required time.

**IAF**  
**JAS-ANZ**  
**G**

International Industrial Certification Co., Ltd.  
8F, Cheong Technosum, 1487, Cheong 3-Dong, Gyeongju-Gu, Seoul, Korea  
Tel.: +82-2-6071-0931-4 Fax: +82-2-6071-0933

Accreditation by the Joint Accreditation System of Australia and New Zealand.  
www.jas-anz.org/register



# Packing system

- **PACKING BOX**

W360mm \* D170mm \* H75mm

W370mm \* D360mm \* H415mm

## Inner Box



## Master Box



◇ 1 inner Box = 50 Modules \* 2 = Total 100 EA

◇ 1 master Box = 1 inner Box \* 10 = Total 1,000 EA

◇ 1 master Box Weight **(based on LFU-3S Series)**  
= About 11.5kg

# Application







Powered by  
**SAMSUNG LED**



**LED FOR YOU**  
CO., LTD